



Features

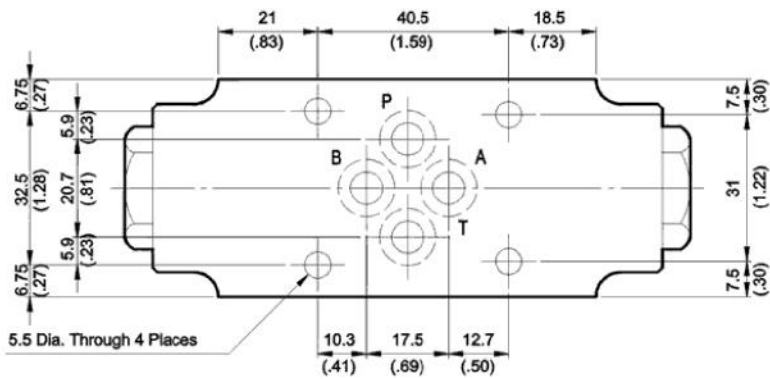
- This Valve is of the modular design improved from the pilot operated check valve used for preventing the actuator from self-operating, as well as for valve position holding.
- Cracking pressure of check valve is 2 bar.
- The valve is of the internal drain type.

Ratings

Model	Max Operating Pres Bar(PSI)	MAx Flow ipm (USgpm)	Valve Size	Weight kg(lb)
MP*-01-*	250(3600)	50(13.2)	1/8"	1.2(2.6)
MP*-03-*	250(3600)	100(26.5)	3/8"	3.7(8.1)
MP*-04-*	250(3600)	190(50.2)	1/2"	7.0(15.4)
MP*-06-*	250(3600)	300(79.3)	3/4"	11.2(24.6)

Model & Symbol	Model & Symbol
MPA-01(03)	MPA-04(06))
MPB-01(03)	MPB-04(06)
MPW-01(03)	MPW-04(06)

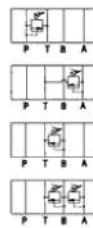
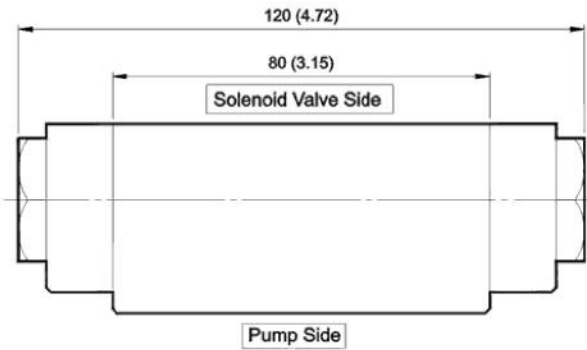
MPW – 01 Pilot Operated Check Valves (Modular Type)



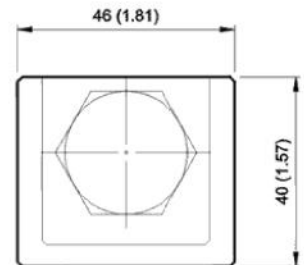
**MOUNTING SURFACE: MP*-01-CETOP3
ISO 03-NFPAD03**

Valve Specifications & Attachment

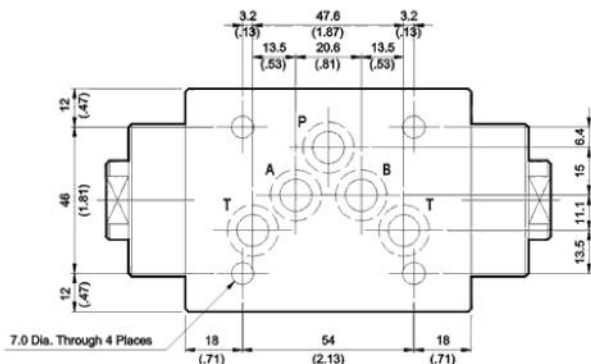
Flow Rating	50 lpm (13.2 gpm)
Max. Pressure	250 bar (3600 psi)
Weight kg.(lbs.)	1.2 (2.6)
CODE:20	M5 X85LgX4pcs
CODE:2090	10-24UNCX3-1/4"LgX4pcs
Mounting Surface O-Ring P9 x 4 pc	



SYMBOL



MPW – 03 Pilot Operated Check Valves (Modular Type)



**MOUNTING SURFACE: MP*-03-CETOP5
ISO 05-NFPAD05**

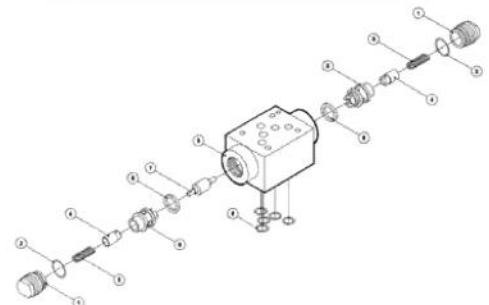
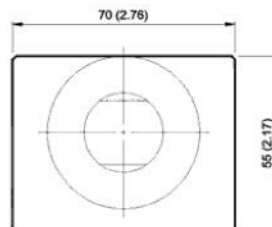
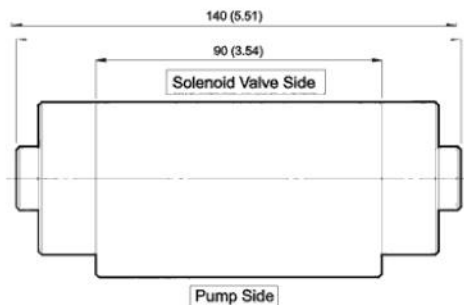
Valve Specifications & Attachment

Flow Rating	100 lpm (26.5 gpm)
Max. Pressure	250 bar (3600 psi)
Weight kg.(lbs.)	3.5 (7.7)
CODE:20	M6 X90LgX4pcs
CODE:2090	1/4-20UNCX3-1/2LgX4pcs
Mounting Surface O-Ring P12 x 5 pc	

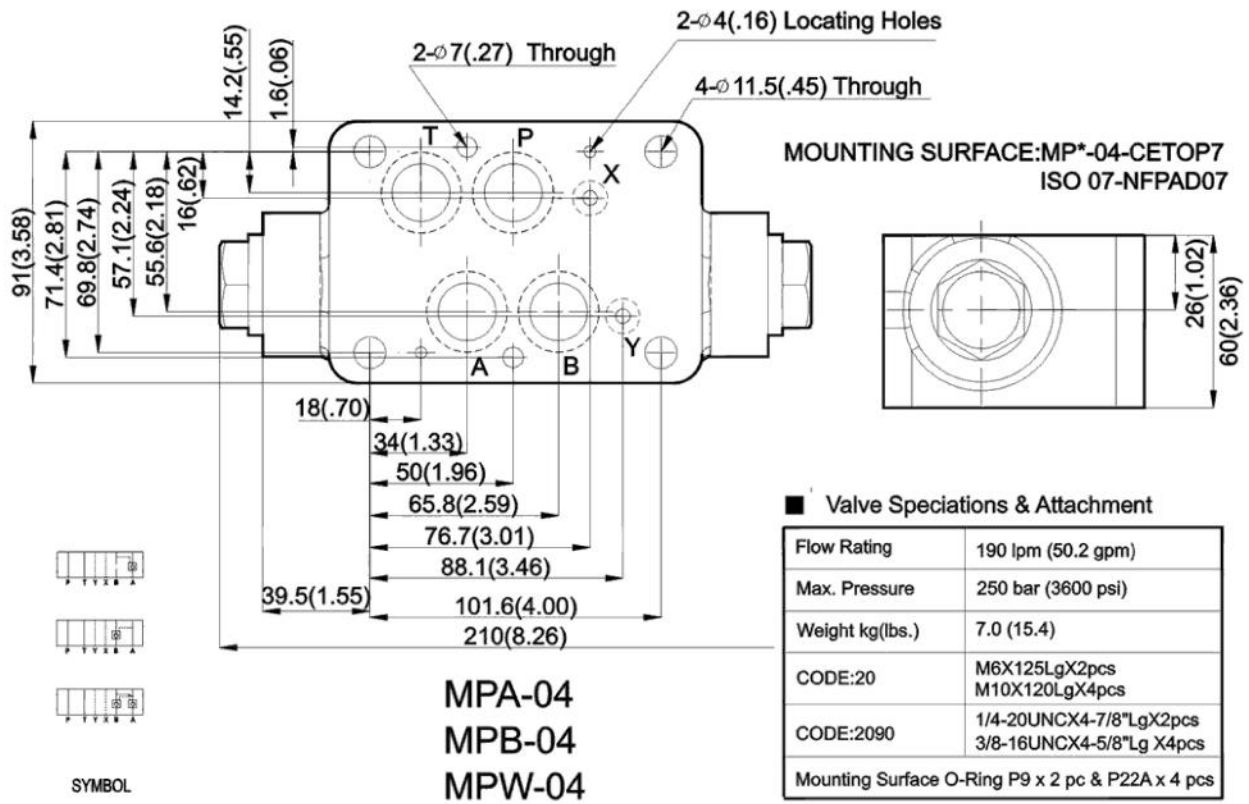


SYMBOL

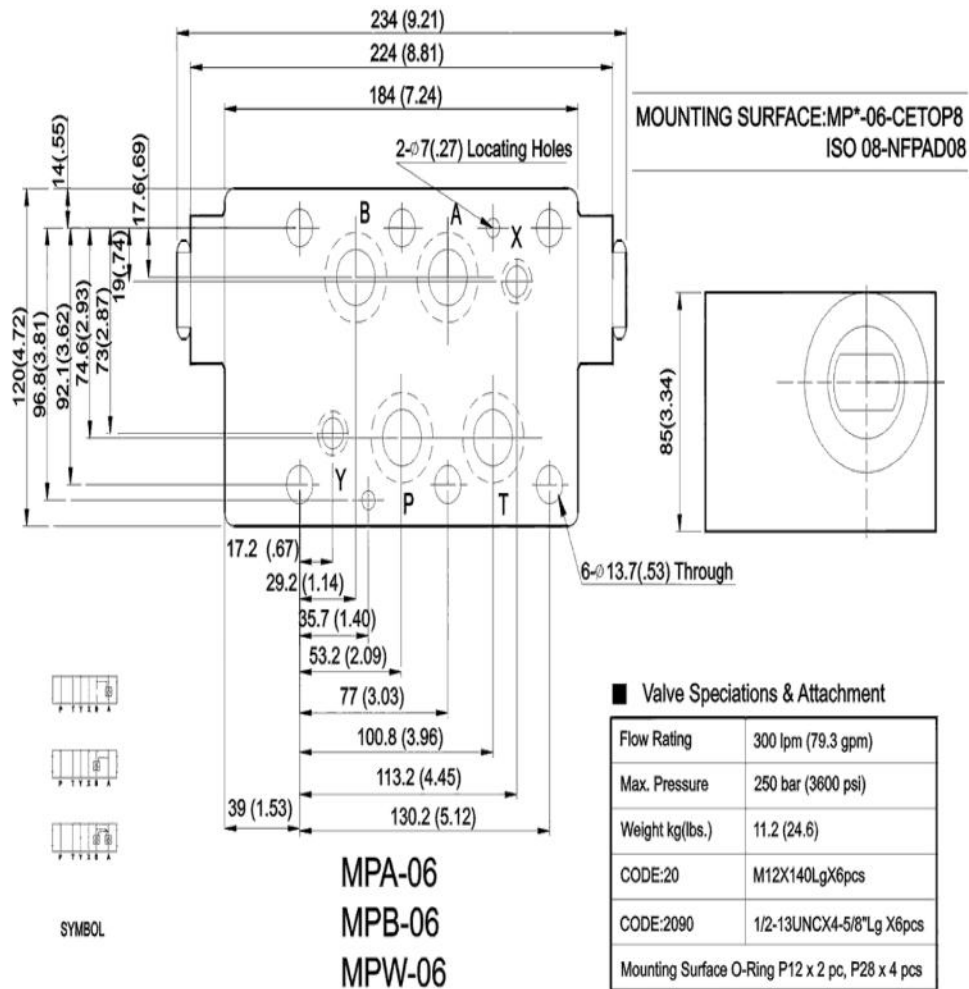
MPW-03-30



MPW – 04 Pilot Operated Check Valves (Modular Type)



MPW – 06 Pilot Operated Check Valves (Modular Type)



Ordering Code

MP	A	03	2	20
Series No	Control Line	Valve Size	Cracking Pressure	Design No
Pilot Operated Check Modular Valves	A: A Port	(DSG-) 01 (NFPA-D03)	2: 2 bar	20 DIN 912 bolts
	B: B Port	(DSG-) 03 (NFPA-D05)	4: 4 bar	2090 UNC bolts (North Americac)
	W: A & B Port	(DSHG-) 04 (NFPA-D07)		Design No. 30 Decompression Type
		(DSHG-) 06 (NFPA-D08)		